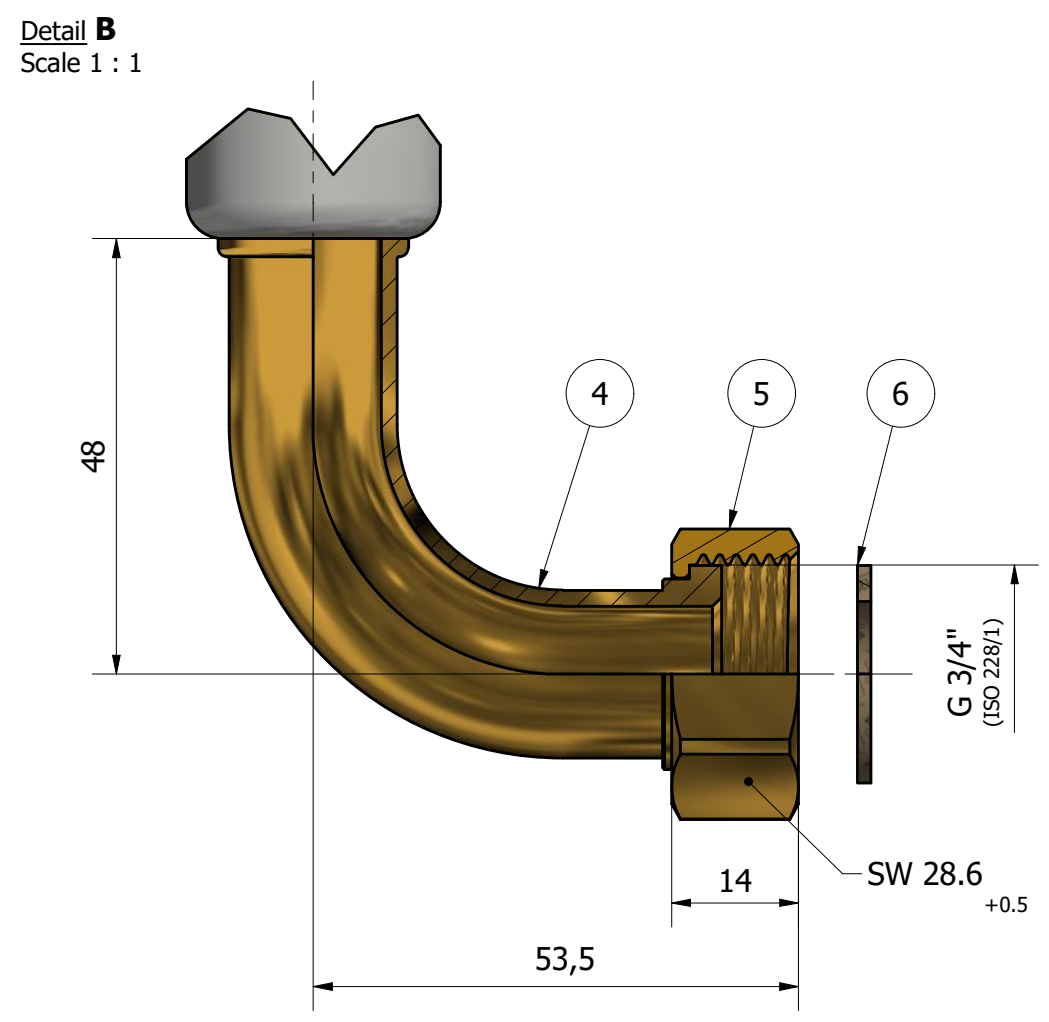
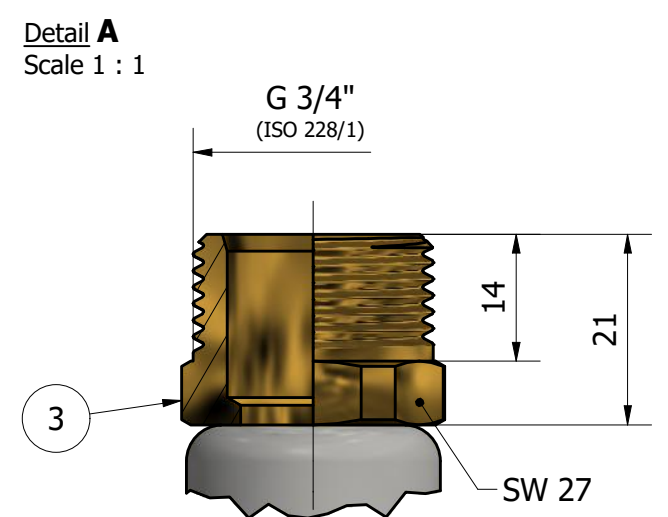
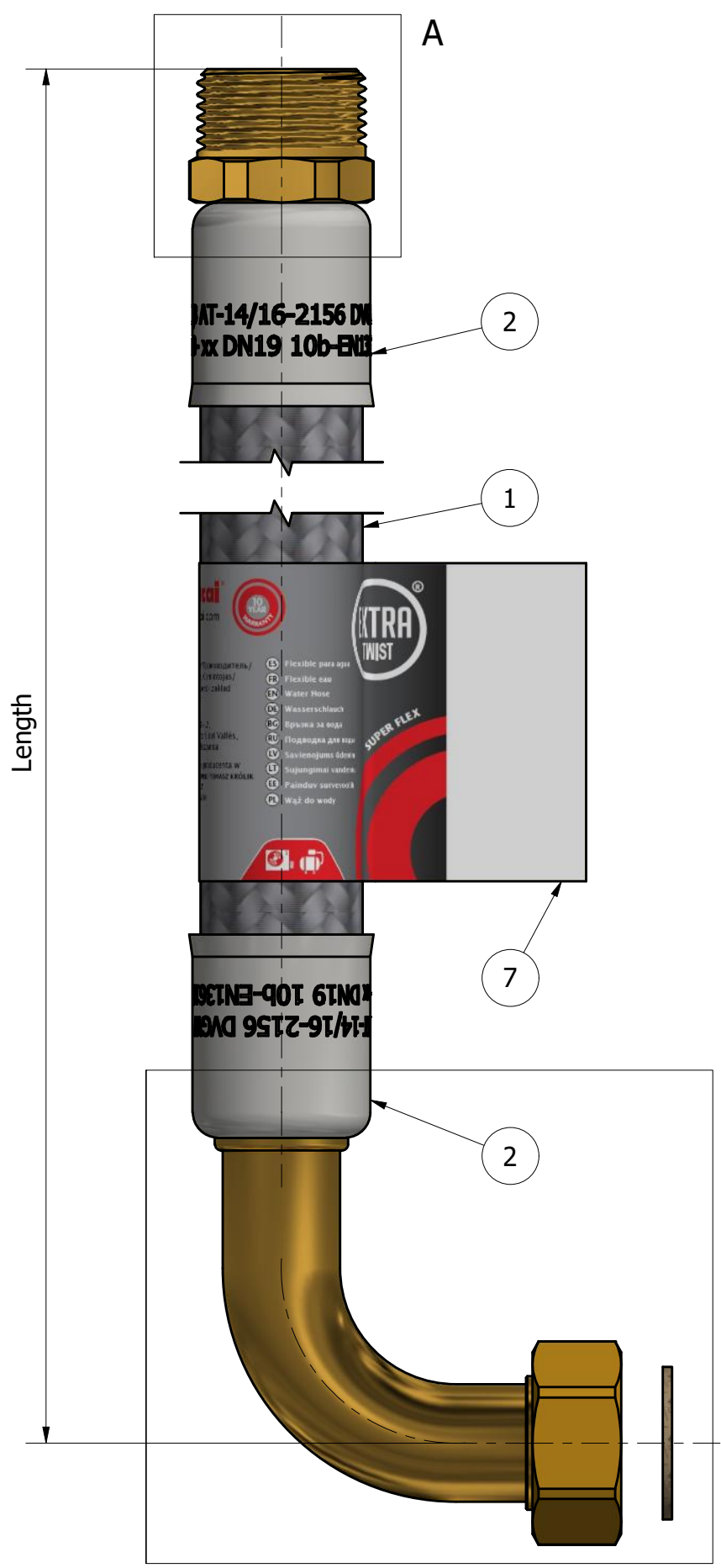


DN19
Pressing acc. ET-047



ATTACH WASHER ON HOSE WITH ELASTIC RUBBER BAND

ITEM	QTY	CODE	DESCRIPTION	MATERIAL	TREATMENT
1	1	110522	EXTRA TWIST DN19	PE-RT-25.5x19.8-Braiding INOX AISI 304 Acc. ET-046	-
2	2	12343	C-26.4/28-AI-DN19	Stainless Steel AISI 304	-
3	1	23814.9	Fitting-G3/4 DN19	Brass CW617N	Blasting (Granallado)
4	1	23812.6	RCO-DN19-3/4"	Brass CW617N	Acid-washed
5	1	11451.9	T-G-3/4" H14	Brass CW617N	Blasting (Granallado)
6	1	12962	JFP- AFM-34	FIBER	-
7	1	22032	ET. TWIST DN19 / DN25	Polypropylene (PP)	-

Code	Description	Length
208332	EXTRA-TWIST-CODO MG-3434-300	305 +/-5
208333	EXTRA-TWIST-CODO MG-3434-500	510 +/-10
208334	EXTRA-TWIST-CODO MG-3434-800	810 +/-10
208335	EXTRA-TWIST-CODO MG-3434-1000	1010 +/-10
208336	EXTRA-TWIST-CODO MG-3434-1500	1515 +/-15
208337	EXTRA-TWIST-CODO MG-3434-2000	2015 +/-15

REV	DATE	DESCRIPTION	DESIGNER	CHECKED BY
c	06/10/2021	Replaced 23812.7 by 23812.6	QAL	ETT
b	28/07/2021	Replaced 23715 by 12343	GRG	ETT
a	13/04/2021	Initial drawing	GRG	ETT

DESIGNER	GRG	13/04/2021	HOSE ASSEMBLY
APPROVED BY	ETT	13/04/2021	
EXTRA-TWIST-CODO MG-3434			Code 208332-T