

TOP VORTEX

VORTEX submersible pumps for dirty water

Thanks to the proven VORTEX system, this submersible pump allows the clearing of dirty water containing suspended solid bodies without any risk of clogging the impeller.



RANGE OF PERFORMANCE

Flow rate up to 180 l/min (10.8 m³/h)
Head up to 7 m

LIMITS OF USE

Depth up to 3 m
Liquid temperature up to + 40°C
(+90° C for a maximum period of 3 minutes)
Passage of solid bodies up to Ø 20 mm
Drainage level 25 mm from the bottom

CONSTRUCTION AND SAFETY STANDARDS

EN 60 335-1	EN 60034-1	CE
IEC 335-1	IEC 34-1	
CEI 61-150	CEI 2-3	

INSTALLATION AND USE

THE TOP-VORTEX PUMP IS SUITABLE FOR DRAINING DIRTY WATER THAT IS CHEMICALLY NON AGGRESSIVE. THE CONSTRUCTION GUARANTEES SIMPLE AND SAFE OPERATION DUE TO THE COMPLETE COOLING OF THE MOTOR BY THE PUMPED WATER AND THE DOUBLE SEAL DESIGN.

IT IS RECOMMENDED FOR DOMESTIC USE, FOR THE CLEARING OF DIRTY WATER, FOR EMPTYING TANKS, DOMESTIC DRAINS AND COLLECTION TRAPS, EVEN WITH SUSPENDED SOLID BODIES WITH DIMENSIONS UP TO Ø 20 mm.

GUARANTEE 2 YEARS subject to our general terms of sale.

CONSTRUCTION CHARACTERISTICS

- **DELIVERY BODY:** glass filled technopolymer, particularly resistant to impact and corrosion, with threaded port ISO 228/1.
- **SUCTION GRID:** technopolymer.
- **IMPELLER:** technopolymer.
- **MOTOR SUPPORT:** stainless steel AISI 304.
- **MOTOR SHAFT:** stainless steel EN 10088-3 - 1.4104.
- **DOUBLE SEAL:** mechanical seal ceramic - graphite - NBR, with oil barrier chamber and inner lip seal to protect the seal in the event of dry running.
- **MOTOR:** submersible asynchronous single-phase for continuous duty. **TOP-VORTEX:** single-phase 220÷240 V - 50 Hz with capacitor and thermal overload protector.
- **INSULATION:** class F. ● **PROTECTION:** IP 68.
- **REGISTERED MODEL n° 72765**

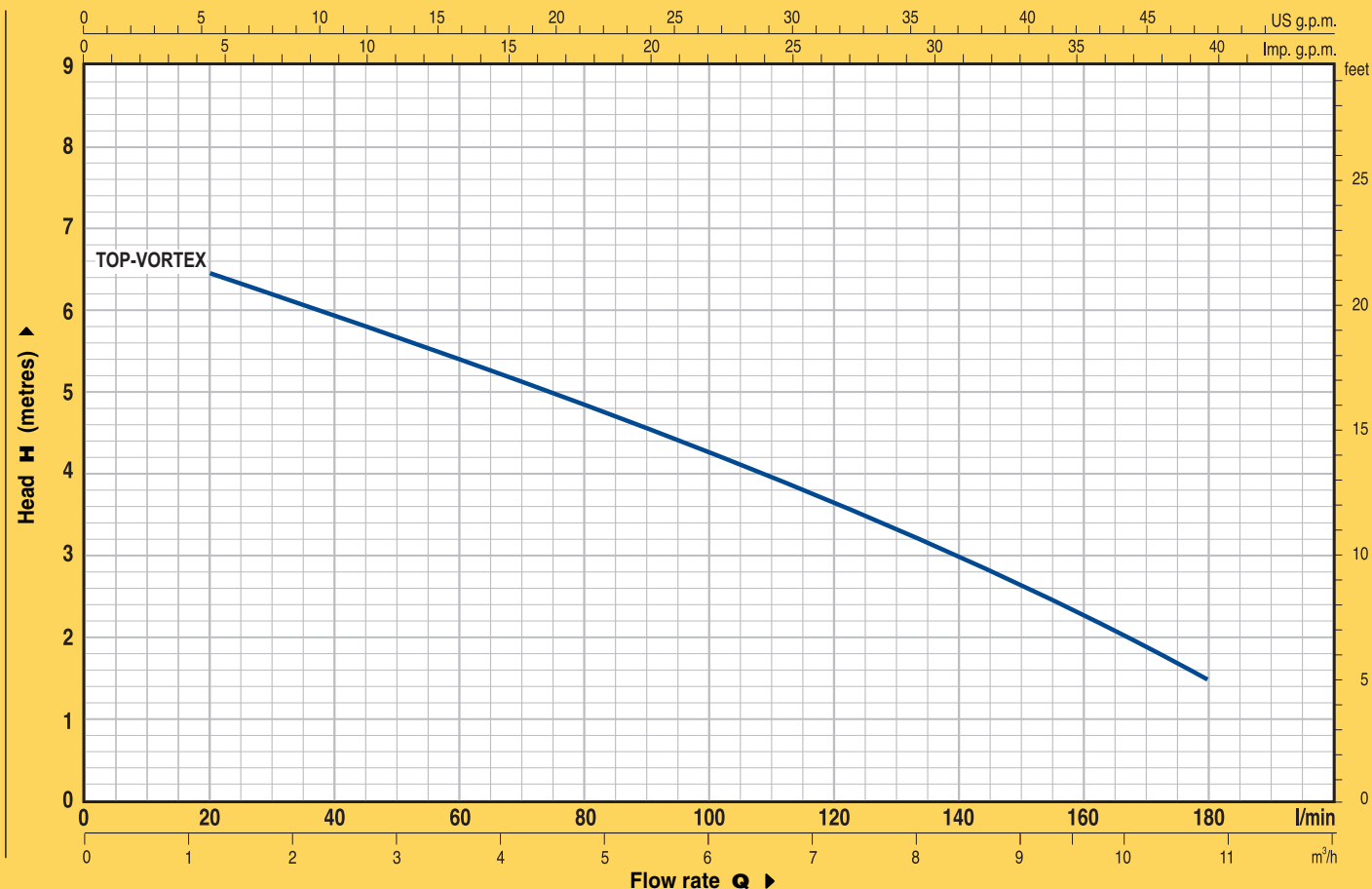
STANDARD FEATURES:

TOP-VORTEX Float switch.
Hosetail.
Neoprene power cable "H05 RN-F"
length **5 metres** with Schuko plug.

OPTIONS ON REQUEST

- ⇒ special mechanical seal
- ⇒ 10 metre power cable.
N.B. required for outdoor use to comply with standard EN 60335-2-41
- ⇒ other voltages or frequency 60 Hz

CURVES AND PERFORMANCE DATA AT n= 2900 1/min

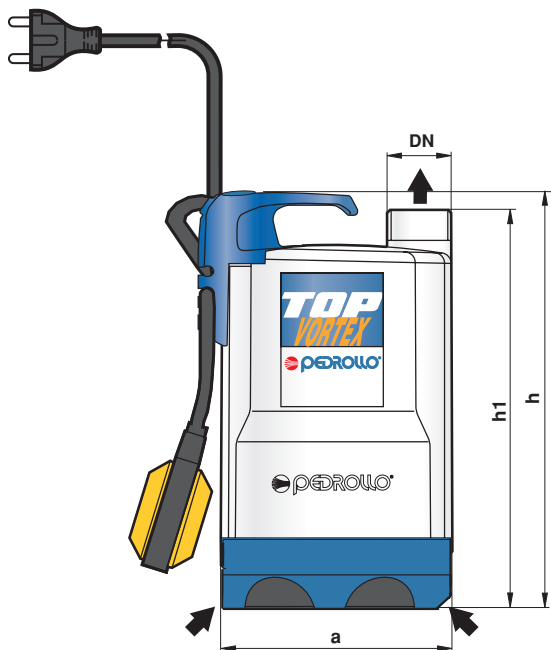


TYPE	POWER		Q	0	1.2	2.4	3.6	4.8	6.0	7.2	8.4	9.6	10.8
	kW	HP		0	20	40	60	80	100	120	140	160	180
Single-phase			m³/h										
			l/min										
TOP - VORTEX	0.37	0.50	H metres	7	6.5	6	5.4	4.8	4.2	3.5	3	2.5	1.5

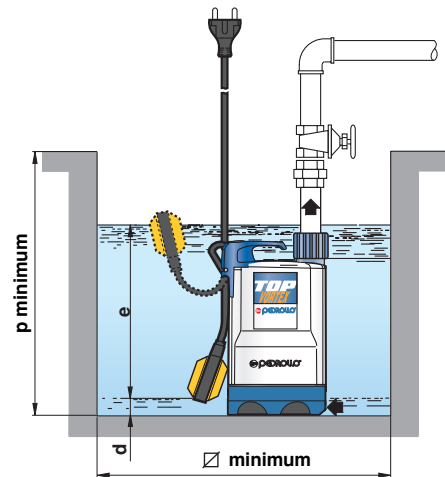
Q = Flow rate H = Total manometric head

Tolerance of the performance curves according to EN ISO 9906 App. A.

DIMENSIONS AND WEIGHTS



Typical installation



TYPE	PORT DN	DIMENSIONS mm							kg
		a	h	h1	d	e	p	∅	
Single-phase									
TOP - VORTEX	1 1/4"	152	288	268	25		350	350	5.0